

everynet Network Gateway V2.0

FEATURE SET

- LoRaWAN™ network compliant
- Compact size 145 x 93 x 64 mm
- Simple to mount and install
- Integrated GPS and 3G antennas
- PoE IEEE 802.3af Class A, 48V
- Integrated backup battery
- Ruggedized housing
- White Label options



DESCRIPTION

The everynet Network Gateway product is a very compact, fully featured LoRaWAN™ compliant network base station. It has been designed to offer low cost, simple to install and to run LoRaWAN network infrastructure. With integrated GPS and 3G antennas, a PoE main supply with an integrated backup battery; both resilience and dual backhaul capabilities have been provisioned. The Gateway has a range of >15km LoS and >2km in dense urban environments.

The LoRaWAN™ Network Controller and all network management and monitoring is provided by the everynet Core Network Platform.

HARDWARE:

- CPU: 454MHz, ARM926
- RAM: DDR2, 128Mb
- FLASH: NAND, 512Mb
- Battery powered Real time clock
- Temperature sensor
- CPU Temperature sensor
- Humidity sensor
- Battery voltage sensor
- Hardware watchdog
- Advanced power management (ability to cut power off any peripherals)

3G/ISM/GPS

- Internal GPS and 3G antennas
- Antenna lightning protection (V2.0)

COMMUNICATION:

- Ethernet 10/100 Base T
- HSDPA/UMTS 900/2100MHz, DL 21 Mbps, UL 5.76 Mbps
- UART for debug terminal
- LED indication
- Secured VPN, no need of external IP-address
- LoRaWAN™ compliant (EU868, USA915)
- LoRa™ Sensitivity -141dB, 49 LoRa channels
- LoRa™ Antenna: gain - 10dB, polarization - vertical,
- More than 15km range LoS and 2km in dense urban environment

GENERAL INFORMATION:

- Dimensions: 145 x 93 x 64 mm
- Weight; 750g
- Operating temperature: -40 °C/ +80 °C
- FCC&CE Certified

Preliminary Product Brief V1.0

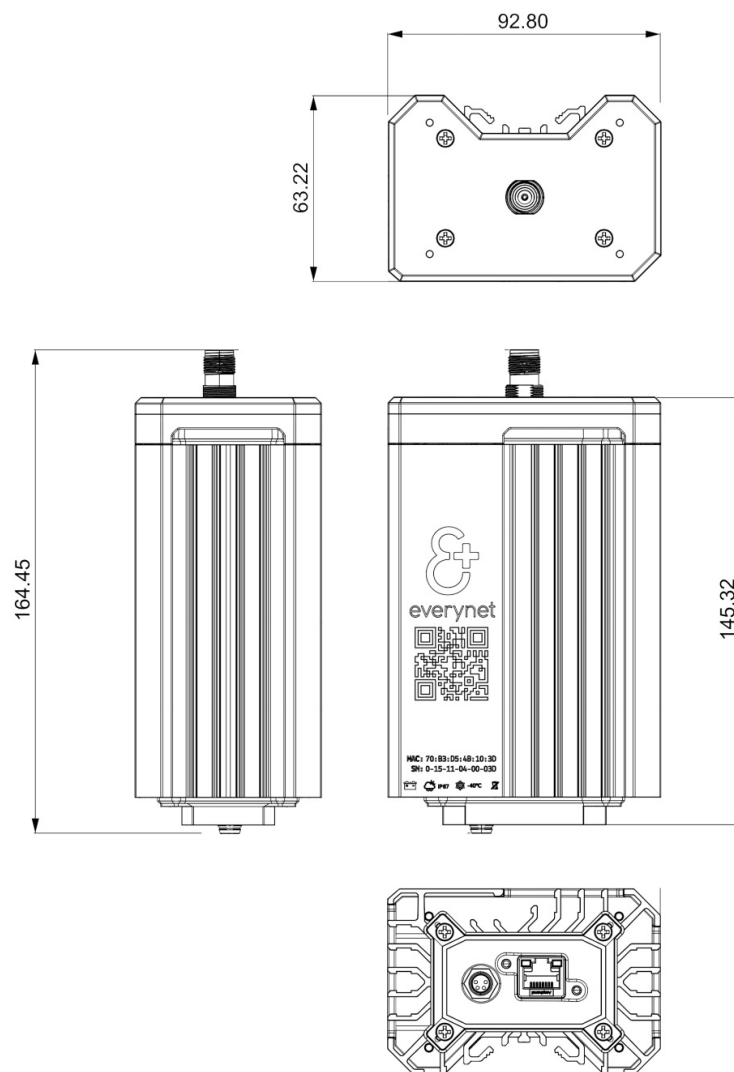
POWER:

- PoE IEEE 802.3af Class A, 48V
- Mains Supply 240V /110V
- Max. power consumption: 15W
- Internal 2000uAh Lo-Po battery (up to 8 hours of operation depending on temperature, load and mode of operation)

ENVIROMENT:

- Ingress protection IP67
- UV and Impact resistance

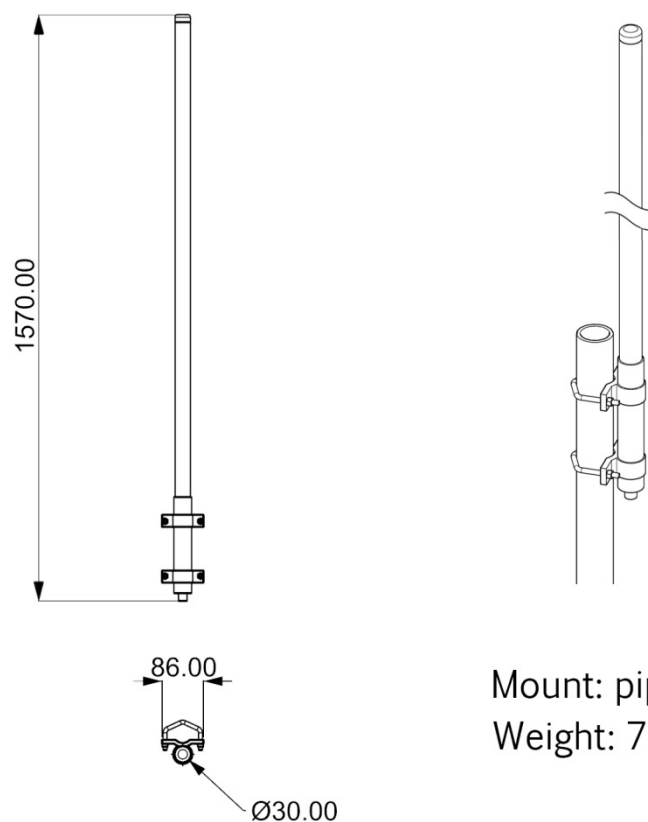
MECHACINAL DIAGRAM:



Preliminary Product Brief V1.0

ANTENNA DETAILS:

ANTENNA MECHACNICAL DIAGRAM:



Mount: pipe $\varnothing 25-55$ mm
Weight: 750g